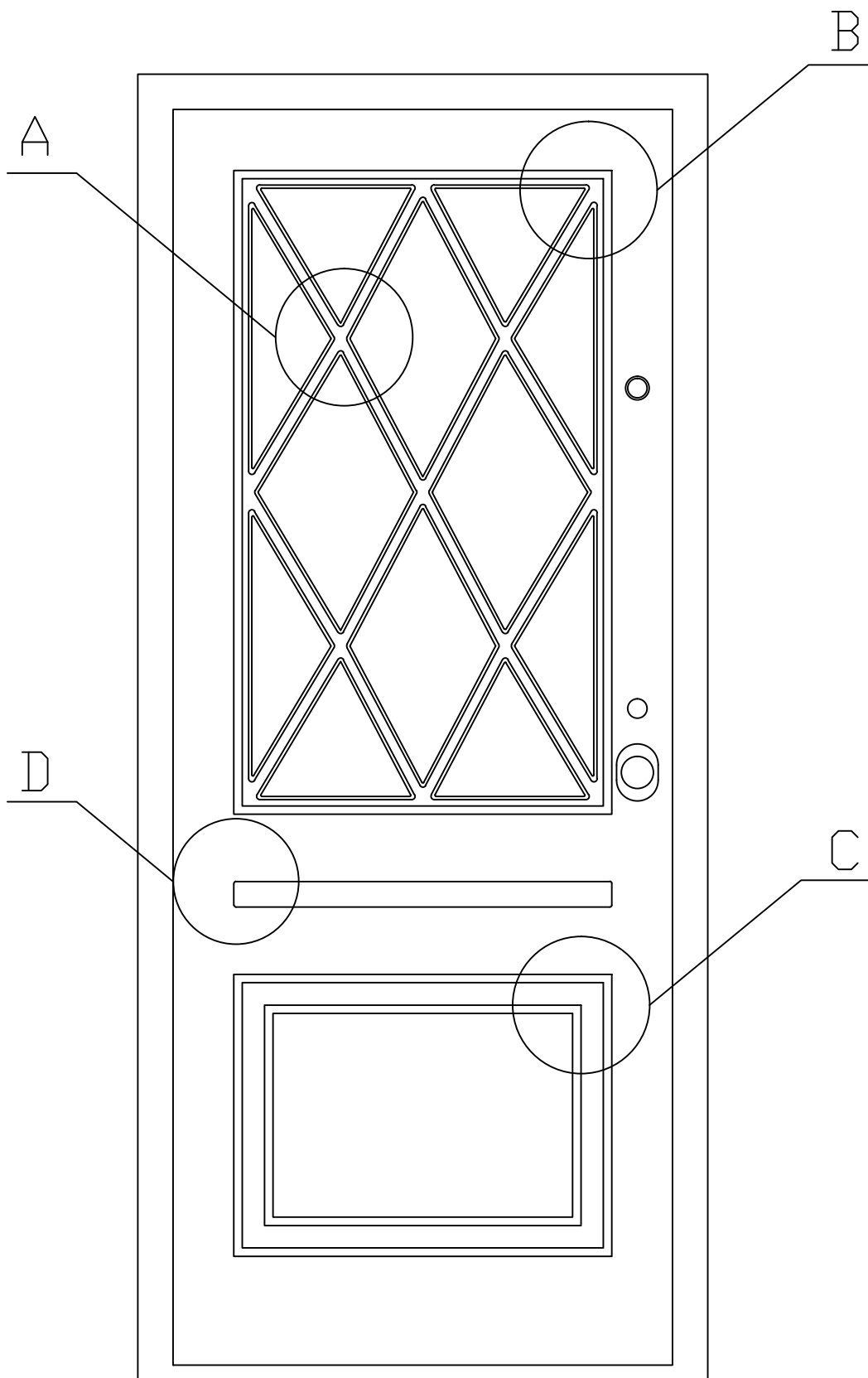


APPROVALS		DATE
DRAWN		26.01.2014
CHECK		26.01.2014
ENGR		
Q.C		
R&D		

TITLE: Order ref. 14-1865 A
Entrance door

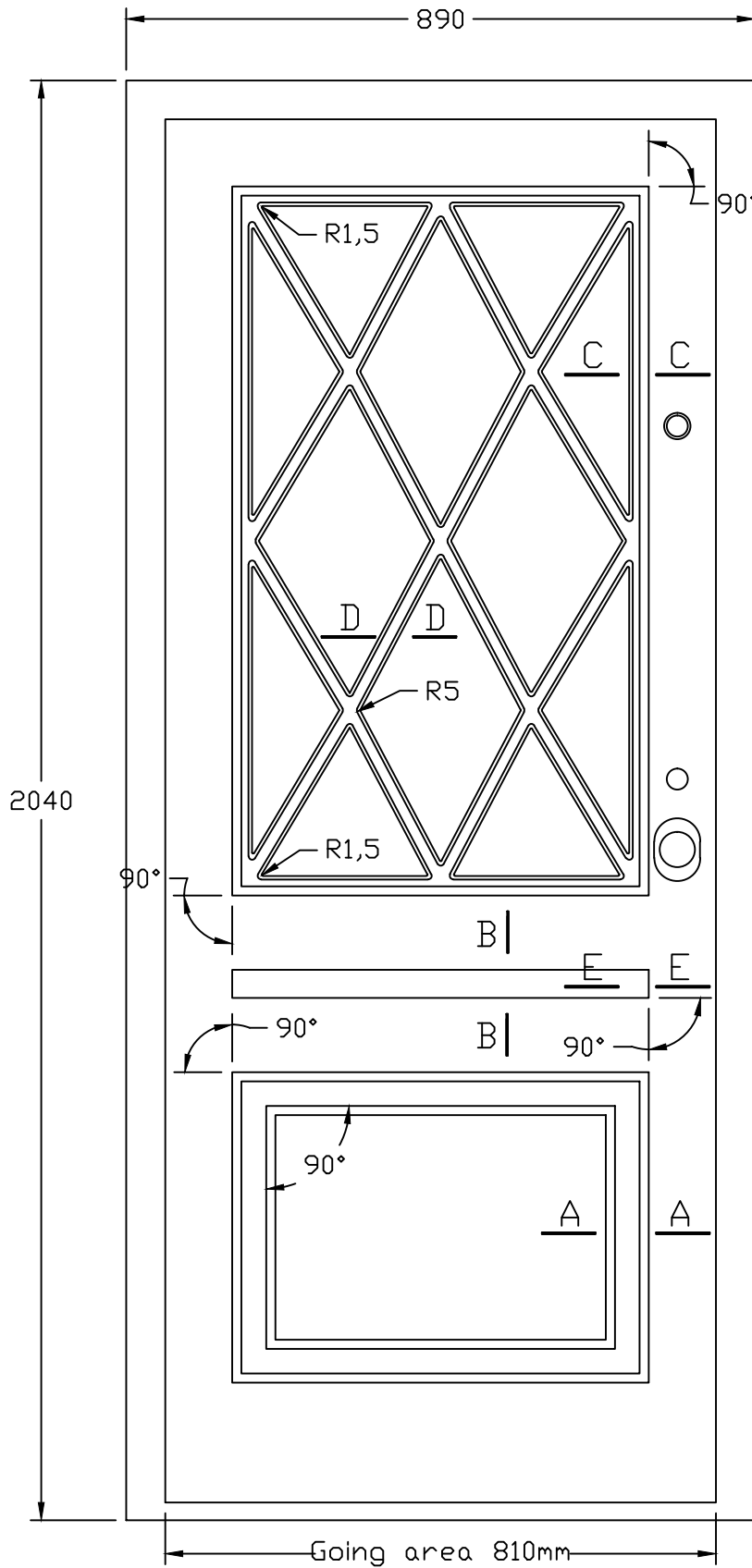
COMMENTS:
View from outside

SIZE	DRAWING NUMBER: 14-1865	
SCALE :	WEIGHT :	SHEET 1 OF 5



APPROVALS		DATE
DRAWN		26.01.2015
CHECK		26.01.2015
ENGR		
Q.C		
R&D		
COMMENTS :		SIZE
Details		DRAWING NUMBER: 14-1865
SCALE :		WEIGHT :
		SHEET 2 OF 5

TITLE: Order ref. 14-1865 A
Entrance door

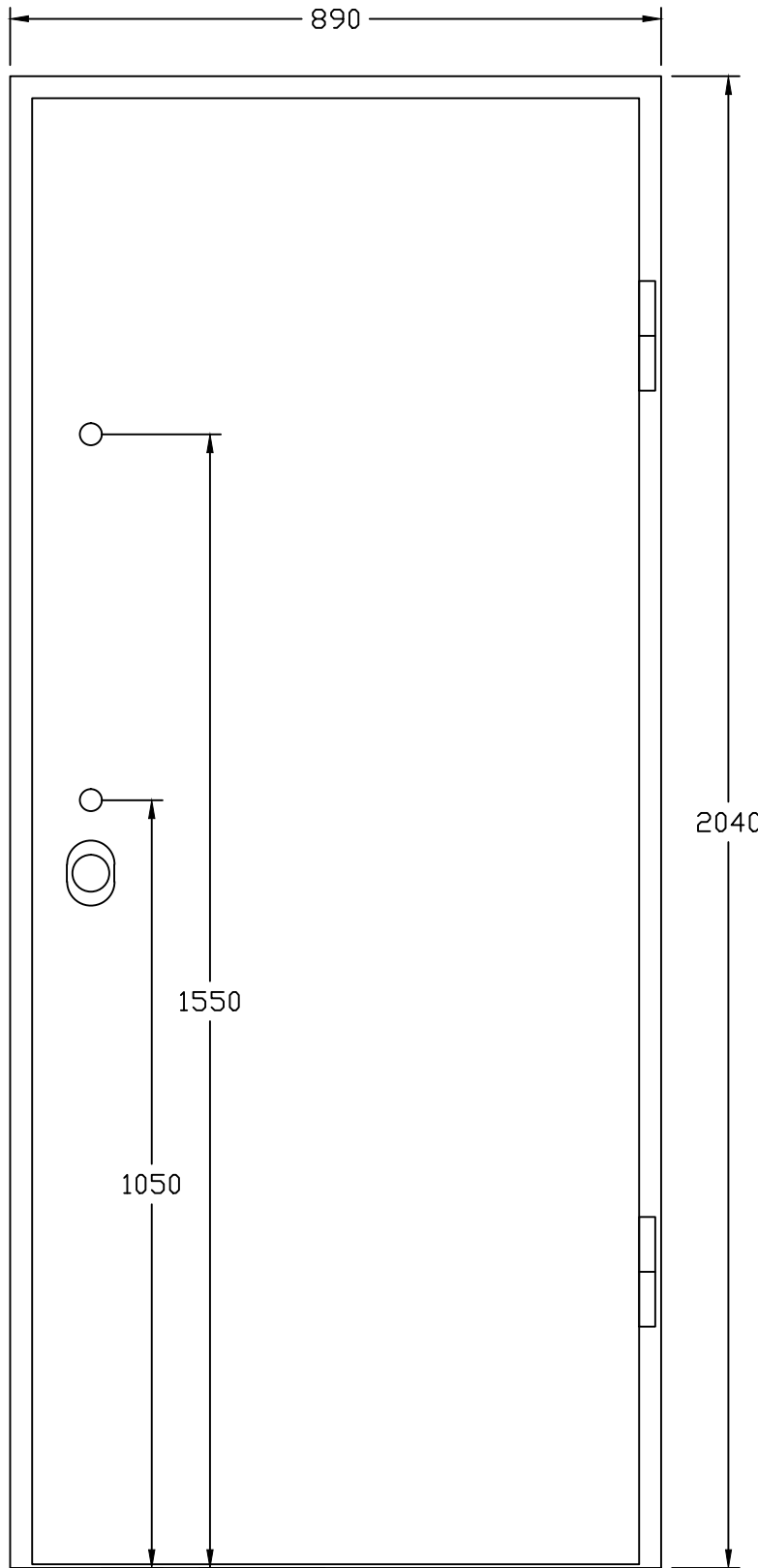


APPROVALS		DATE
DRAWN		26.01.2015
CHECK		26.01.2015
ENGR		
Q.C		
R&D		

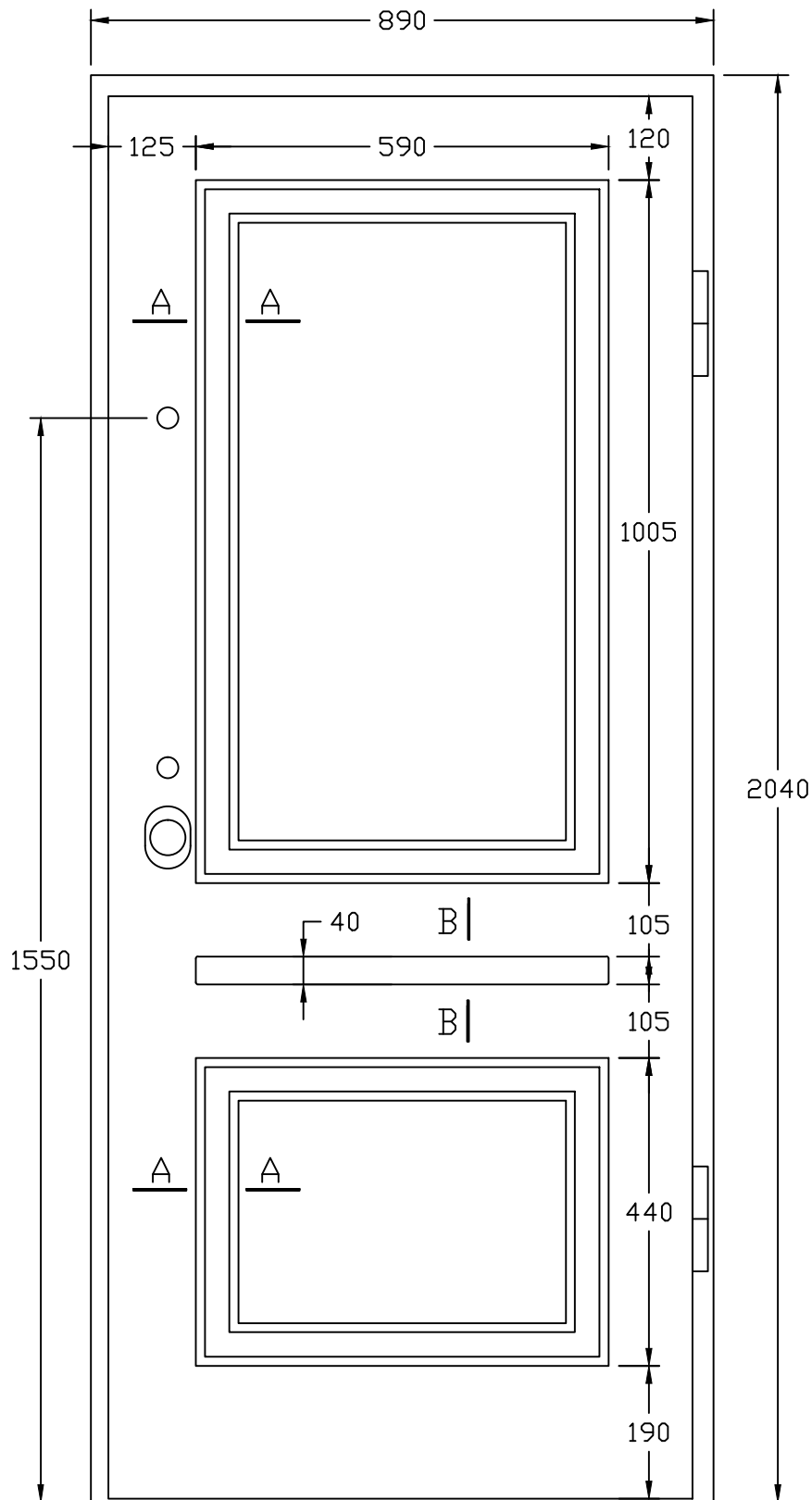
TITLE: Order ref. 14-1865A
Entrance door

COMMENTS:
View from outside
(corners)

SIZE	DRAWING NUMBER: 14-1865	
SCALE :	WEIGHT :	SHEET 3 OF 5



APPROVALS		DATE		
DRAWN		26.01.2015		
CHECK		26.01.2015		
ENGR			TITLE: Order ref. 14-1865 A Entrance door (OPTION 1)	
Q.C				
R&D				
COMMENTS:			SIZE	DRAWING NUMBER: 14-1865
View from inside			SCALE :	WEIGHT :
			SHEET 4 OF 5	



APPROVALS		DATE
DRAWN		26.01.2015
CHECK		26.01.2015
ENGR		
Q.C		
R&D		
COMMENTS:		SIZE
View from inside		DRAWING NUMBER: 14-1865
SCALE :		WEIGHT :
		SHEET 5 OF 5

TITLE: Order ref. 14-1865 A
Entrance door (OPTION 2)